

Drive Cliq IP20 / M12 female 0° shielded 8p.

Specification: 6FX5002-2DC30-1DA0

Female straight – male straight

Plastic housings with good resistance against chemicals and oils.

M12, 8-pole

DRIVE-CLiQ IP20, 10-pole

partly used

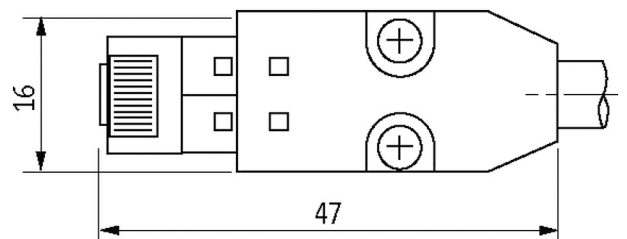
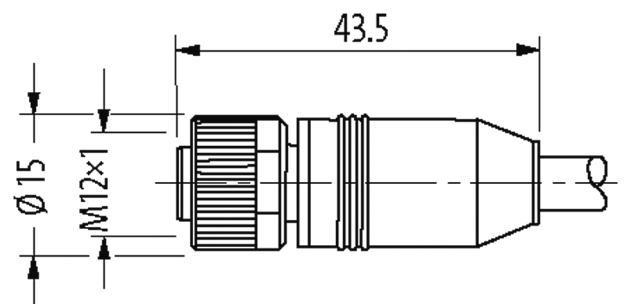
shielded

without cable sleeves

Ethernet CAT5

Further cable lengths on request.

The resistance to aggressive media should be individually tested for your application. Further details on request.

[Link to Product](#)**Illustration**

Product may differ from Image

More Info**Form**

Form SS071

General data

Pollution Degree 3

Temperature range -20...+80 °C, depending on cable quality

Cables

Cable number	881
No./diameter of wires	2 × 2 × AWG24 + 1 × 2 × AWG22
Wire isolation	PE (gnye, pkbl, rdbk)
C-track properties	0.1 Mio.
Torsion stress	±30 °/m
Jacket Color	green
Material (jacket)	PVC (UL/CSA)
Specification	6FX5008-1DC00
Outer Ø	6.9 mm ±5%
Bend radius (fixed)	5 × outer Ø
Bend radius (moving)	20 × outer Ø
Temperature range (fixed)	-20...+70 °C
Temperature range (mobile)	-5...+70 °C
Shield	yes

Technical Data

Operating voltage	max. 30 V AC/DC
Rated surge voltage	0.5 kV
Operating current per contact	max. 1.76 A
Material group	IEC 60664-1, category II
Transfer parameters	CAT5, Class D (ISO/IEC 11801:2002), (EN 50173-1)
Transfer rate	up to 100 Mbit/s full duplex
Coding	A-coded
Locking of ports	Screw thread (M12×1 mm) recommended torque 0.6 Nm, self-securing
Compression gland	M12 (SW13)
Protection	IP67 (M12) - IP20 (DRIVE-CLiQ)
Locking material	Zinc die casting, matte nickel plated
Material	PUR
suitable for corrugated tube (internal Ø)	without

Commercial data

country of origin	DE
customs tariff number	85444210
EAN	4048879578998
eClass	27061801
Packaging unit	1